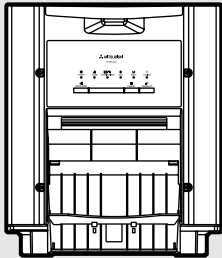




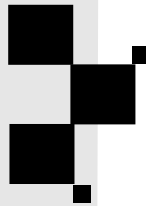
DIGITAL COLOR PRINTER
MODEL

CP9800DW

OPERATION MANUAL



THIS OPERATION MANUAL IS IMPORTANT
TO YOU.
PLEASE READ IT BEFORE USING YOUR
DIGITAL COLOR PRINTER.



DIGITAL COLOR PRINTER

Hereby, Mitsubishi Electric Corporation, declares that this digital color printer is in compliance with the essential requirements and other relevant provisions of Directive 1999/5/EC.

This digital color printer complies with the requirements of the EC Directive 89/336/EEC, 93/68/EEC, and 2006/95/EC.

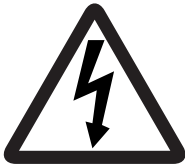

The electro-magnetic susceptibility has been chosen at a level that gains proper operation in residential areas, on business and light industrial premises and on small-scale enterprises, inside as well as outside of the buildings. All places of operation are characterised by their connection to the public low voltage power supply system.

INFORMATION

This Class A digital apparatus complies with Canadian ICES-003.
Cet appareil numérique de la classe A est conforme à la norme NMB-003 du Canada.

WARNING :
TO PREVENT FIRE OR SHOCK HAZARD, DO NOT EXPOSE THIS APPLIANCE TO RAIN OR MOISTURE.

WARNING:
Use the included AC power cord so as not to interfere with radio and television reception. If you use other cables, it may cause interference with radio and television reception.

	CAUTION RISK OF ELECTRIC SHOCK DO NOT OPEN	
CAUTION : TO REDUCE THE RISK OF ELECTRIC SHOCK, DO NOT REMOVE COVER (OR BACK) NO USER-SERVICEABLE PARTS INSIDE REFER SERVICING TO QUALIFIED SERVICE PERSONNEL.		



The lightning flash with arrowhead symbol, within an equilateral triangle, is intended to alert the user to the presence of uninsulated “dangerous voltage” within the product’s enclosure that may be of sufficient magnitude to constitute the risk of electric shock.



The exclamation point within an equilateral triangle is intended to alert the user to the presence of important operating and maintenance (servicing) instructions in the literature accompanying the appliance.



The “Caution, hot surface” symbol indicates that the marked item may be hot and should not be touched.



The “Electro Static Discharge (ESD) warning” symbol indicates that trouble (including equipment malfunction) due to static electricity may occur in certain conditions.



The “ON/OFF” symbol indicates connection to or disconnection from the mains, at least for mains switches.



The “Alternating current” symbol indicates that the equipment is suitable for alternating current only.

PRECAUTIONS
FEATURES
CONNECTIONS
PREPARATION
TROUBLE-SHOOTING
OTHERS
CONTENTS

CAUTION:

Changes or modifications not expressly approved by the party responsible for compliance could void the user's authority to operate the equipment.

NOTE:

This equipment has been tested and found to comply with the limits for a Class A digital device, pursuant to Part 15 of the FCC Rules. These limits are designed to provide reasonable protection against harmful interference when the equipment is operated in a commercial environment. This equipment generates, uses, and can radiate radio frequency energy and, if not installed and used in accordance with the instruction manual, may cause harmful interference to radio communications. Operation of this equipment in a residential area is likely to cause harmful interference in which case the user will be required to correct the interference at his or her own expense.

Operation is subject to the following two conditions;

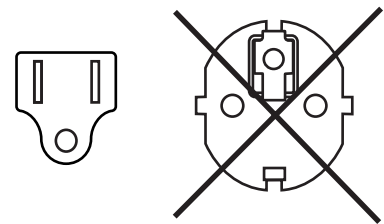
- (1) this device may not cause interference, and
- (2) this device must accept any interference, including interference that may cause undesired operation of the device.

WARNING:

In the USA or Canada, use the AC power cord according to the recommendations as below, in order to comply with UL60950-1 and CAN/CSA C22.2 No. 60950-1-03. Connect to the 120V receptacle of the room or the host equipment.

The AC power cord should be UL or CSA approved and consist of type SVT, size 16 or 18AWG, length 2 m or shorter cord with IEC60320-1/C13 type, 125V 10A or higher rating connector and NEMA 5-15 type, 125V 10A or higher rating plug. Use the AC power cord as specified above, so as not to interfere with radio and television reception.

If you use other cables, it may cause interference with radio and television reception.

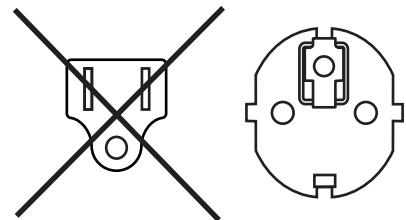


WARNING:

In Europe, use the AC power cord according to the recommendations as below, in order to comply with EN60950-1. Connect to the 230V receptacle of the room or the host equipment.

The AC power cord should be VDE approved and consist of core size 1mm² or bigger, length 2 m or shorter cord with IEC60320-1/C13 type, 250V 10A or higher rating connector and CEE(7)VII type, 250V 10A or higher rating plug. Use the AC power cord as specified above, so as not to interfere with radio and television reception.

If you use other cables, it may cause interference with radio and television reception.



WARNING:

The socket outlet shall be installed near the equipment and shall be easily accessible.

Note: This symbol mark is for EU countries only.

This symbol mark is according to the directive 2002/96/EC Article 10 Information for users and Annex IV.



Your MITSUBISHI ELECTRIC product is designed and manufactured with high quality materials and components which can be recycled and reused.

This symbol means that electrical and electronic equipment, at their end-of-life, should be disposed of separately from your household waste.

Please, dispose of this equipment at your local community waste collection/recycling centre.

In the European Union there are separate collection systems for used electrical and electronic product.

Please, help us to conserve the environment we live in!

CONTENTS

Contents	1
Safety precautions	2-4
Special features	5
Unpacking	6
Features and functions	7-8
Front panel	7
Side and rear panel	8
Connections	9-10
Connection with USB data signal equipment	9
Setting of DIP switches	10
Before operation	11-17
Installation of print paper	11-12
Positioning of adjustable paper guide	13
Installation of ink ribbon	14-15
Handling of paper / ink ribbon set	16
Installation of printer driver	17
Error messages and countermeasures	18-20
Indications on the front panel and countermeasures	18
Overcoming paper jams	19
Before calling for service	20
Instructions for transportation	20
Cleaning	21-22
Specifications	23

PRECAUTIONS

FEATURES

CONNECTIONS

PREPARATION

TROUBLE-
SHOOTING

OTHERS

CONTENTS

SAFETY PRECAUTIONS

In the interest of safety, please observe the following precautions:

POWER REQUIREMENT

This Digital Color Printer is designed to operate on 120V AC 50/60Hz in the U.S.A. and Canada, and 220V-240V AC 50/60Hz in Europe. Never connect to any outlet or power supply having a different voltage or frequency.

WARNING : THIS APPARATUS MUST BE EARTHED.

AVERTISSEMENT: CET APPAREIL DOIT ETRE MIS A LA TERRE.

PROTECTIVE MEASURES

IF ABNORMALITIES ARISE,

Use of the unit during emission of smoke or abnormal sounds (without adopting countermeasures) is dangerous. In such a case, unplug the power cord from the source outlet immediately, and request maintenance service from the sales dealer.

NEVER INSERT ANY OBJECT INTO THE UNIT

Foreign objects of any kind inserted into this unit constitute a safety hazard and can cause extensive damage.

DO NOT PLACE ANYTHING ON THE DIGITAL COLOR PRINTER

Heavy objects placed on the Digital Color Printer can cause damage or obstruct proper ventilation.

PROTECT THE POWER CORD

Damage to the power cord may cause fire or shock hazard. When unplugging, hold by the plug only and remove carefully.

DO NOT PLACE WATER CONTAINERS ON THE UNIT

Do not place flower vases, and other water-holding containers on the device. If, for some reason, water seeps to the inside of the unit, unplug the power cord from the source outlet, and contact the sales dealer. If used without corrective measures, the unit may be damaged.

"In the interest of safety, avoid handling of liquids near the unit."

DO NOT REMOVE THE CABINET

Touching internal parts is dangerous, besides, it may lead to malfunction. Contact the sales dealer to carry out internal checks and adjustments. Before opening the cover for eliminating a jammed paper, etc., be sure to disconnect the power cord plug.

UNPLUG THE POWER CORD DURING A LONG ABSENCE

Turn off the main power switch and unplug the power cord during a long absence.

WHEN TRANSPORTING THE UNIT

When transporting the unit, remove the ink ribbon and print paper from the unit. See "INSTRUCTIONS FOR TRANSPORTATION" on page 20.

BE CAREFUL AROUND PRINT PAPER EXIT SLOT

Don't insert your hand or any material into the paper exit slot during printing.

Do not touch the cutter blade inside the paper exit slot.

Otherwise, your finger will be injured.

DO NOT TOUCH THE THERMAL HEAD

Do not touch the thermal head (located inside the unit).

They are heated to high temperature and may cause burns or injury when touched.

Also, malfunction caused by static electricity may occur.

WHEN PLACING THE PRINT PAPER, REMOVE ONE FLANGE AND KEEP THE PRINT PAPER UPRIGHT ON ITS SIDE WITH NO FLANGE

When you put the print paper sideways on a table, etc., it may roll and fall. This may cause injury.

CONNECTION CABLES

Use the provided power cord.

PRECAUTIONS

FEATURES

CONNECTIONS

PREPARATION

TROUBLE-
SHOOTING

OTHERS

CONTENTS

SAFETY PRECAUTIONS

REMOVE THE PAPER STRIP BIN WHEN OPENING OR CLOSING THE DOOR

When you open or close the door with the paper strip bin installed, the bin may be removed and fall. This may cause injury or damage.

INSTALLATION LOCATIONS

MAINTAIN GOOD VENTILATION

Ventilation slots and holes are provided on the rear and both sides of this unit. Place the unit on a hard and level surface and keep a space between the unit and the walls to ensure proper ventilation. When putting the unit on the system rack, take a space between the unit and the back and sides of the rack.

SUITABLE LOCATIONS

Avoid shaky places or hot-springs areas where hydrogen sulfide and acidic ions are likely to be generated.

AVOID PLACES WITH HIGH HUMIDITY AND DUST

Do not place the unit at a high humidity and dusty locations. They can cause extensive damage to this unit. Avoid places where the unit is likely to be exposed to oily fumes and vapors.

AVOID PLACES LIKELY TO BE EXTREMELY HOT

Places exposed to direct sunlight, or near heating appliances can attain extremely high temperatures, which may deform the cabinet, or can become a prime cause of damage.

PLACES THE UNIT ON A HORIZONTAL LEVEL

The unit is likely to be affected if it is placed in slanted conditions or in an unstable places.

PROTECT AGAINST DEW FORMATION

In extremely cold regions, if the unit is moved quickly from an extremely cold place to warmer one, dew is likely to be formed. If dew is formed, printing is not possible.

OPERATING AMBIENT TEMPERATURE RANGE

The operating ambient temperature range is 5°C-40°C (41°F-104°F) and the humidity of 30%-80% RH. When using the unit on the system rack, be sure to keep this ambient temperature inside the rack. When the printer is used in a low temperature, it may take some time to start printing.

FOR LONG OPERATING LIFE

UNSUITABLE MATERIALS FOR THE DIGITAL COLOR PRINTER

Coat flaking and deformation are likely to occur if the unit is wiped with chemical dusters, benzene, thinner or any other solvent, if rubber or PVC items are left in contact with the unit for extended duration, or if the unit is sprayed with insecticide.

CARE OF THE CABINET

Unplug and clean with a soft cloth slightly moistened with a mild soap and water solution. Allow to dry completely before operating. Never use petroleum base solutions or abrasive cleaners.

HEAD ABRASION

The thermal head, like the video head, wears out. When it is abraded, it becomes hard to print out fine details of the picture. In such a case, it is necessary to replace the thermal head. Consult with the sales dealer for replacing the head.

CONNECTING DEVICES

Read thoroughly "Operating Precautions" of the instruction booklets for the devices connected with the Digital Color Printer. The power cord must be disconnected after printing is over.

CAUTION ON RELOCATING

When transporting this unit, make sure it is not likely to be subjected to impacts. They can be a prime cause for damage. Further, make sure to disconnect the power cord from the power outlet, and the cables from the connected devices.

PRECAUTIONS

FEATURES

CONNECTIONS

PREPARATION

TROUBLE-
SHOOTING

OTHERS

CONTENTS

OTHER CAUTIONS

- Do not pull out nor touch the print paper until printing is completed. It may degrade the print quality or cause an error.
- Dust or other foreign matter adhering to the print paper or the ink cassette, or deformation resulting from exposure to extremely low or high temperatures could cause loss of color, uneven color or lines, or wrinkles in the print images.
- During printing on 13x18 (5x7"), 15x20 (6x8") or 15x23 (6x9") size paper, the printer may stop printing temporarily for cooling down. (The COOLING indicator blinks.) Please wait for the printer to resume printing after its completion of cooling. Do not touch the print paper.
- During printing, the printer may stop printing temporarily for cooling down. (The COOLING indicator blinks.) Please wait for the printer to resume printing after its completion of cooling.
- Each time printing on 13x18 (5x7")-size or 15x23 (6x9")-size paper is completed, remove the prints. If the prints are not removed, a paper jam may occur.

NOTE:
YOUR UNDERSTANDING IS REQUESTED FOR THE LOSS OF IMAGES IN MEMORY DUE TO THE SUDDEN OCCURRENCE OF A MALFUNCTION.

PRECAUTIONS

FEATURES

CONNECTIONS

PREPARATION

TROUBLE-
SHOOTING

OTHERS

CONTENTS

SPECIAL FEATURES

SPECIAL FEATURES

5 PRINT SIZES ARE AVAILABLE DEPENDING ON THE PURPOSE

5 printing sizes, 9x13 (3.5x5") (max.89 x 127 mm), 10x15 (4x6") (max.102 x 152 mm), 13x18 (5x7") (max.127 x 178 mm), 15x20 (6x8") (max.152 x 203 mm) and 15x23 (6x9") (max.152 x 229 mm), are selectable.

300 DPI HIGH RESOLUTION

CP9800DW has a high resolution of 300 dpi for precise illustrations and sharp photographic images.

LARGE CAPACITY PRINTING

Maximum of 680 prints per roll for 9x13 (3.5x5") is offered. Large economical print capacity per roll reduces frequency of exchanging paper and ink ribbon.

HIGH QUALITY PRINTING

CP9800DW is a dye sublimation thermal transfer color printer, which produces superior high quality images. It also produces a continuous tone at 256 gradient for each of Y, M, and C and 16.7 million colors.

HIGH SPEED PRINTING

Normal printing speed is approx. 8 seconds (in 9x13 (3.5x5") Fine mode print). Use of roll paper shortens the time for installing and removing.

ADDITIONAL FEATURES COMPATIBLE WITH A VARIETY OF INTERFACES AND SYSTEMS

Input and output of control signals using the Hi-Speed USB (Ver. 2.0) interface.



PRECAUTIONS

FEATURES

CONNECTIONS

PREPARATION

TROUBLE-SHOOTING

OTHERS

CONTENTS

UNPACKING

UNPACKING

Take the printer out of the box by the following procedures. Make sure to check the accessories.

1 Open the top of the box.

2 Remove the accessories together with the cushion.

3 Hold the handle and the upper front part of the printer and pull the printer up carefully to take it out of the box.

Hold the parts indicated by the arrows and pull the printer straight up.

NOTE

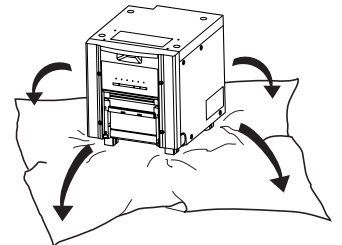
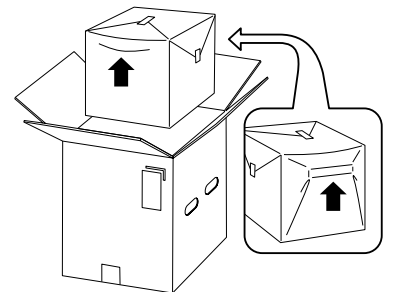
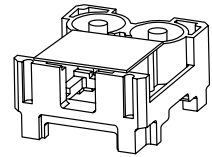
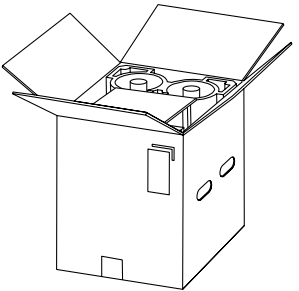
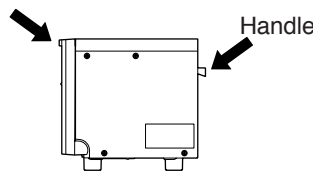
This printer is about 21 kg in weight. Handle it with care.

4 Unwrap the packing.

Keep the cushions for transporting the printer again.

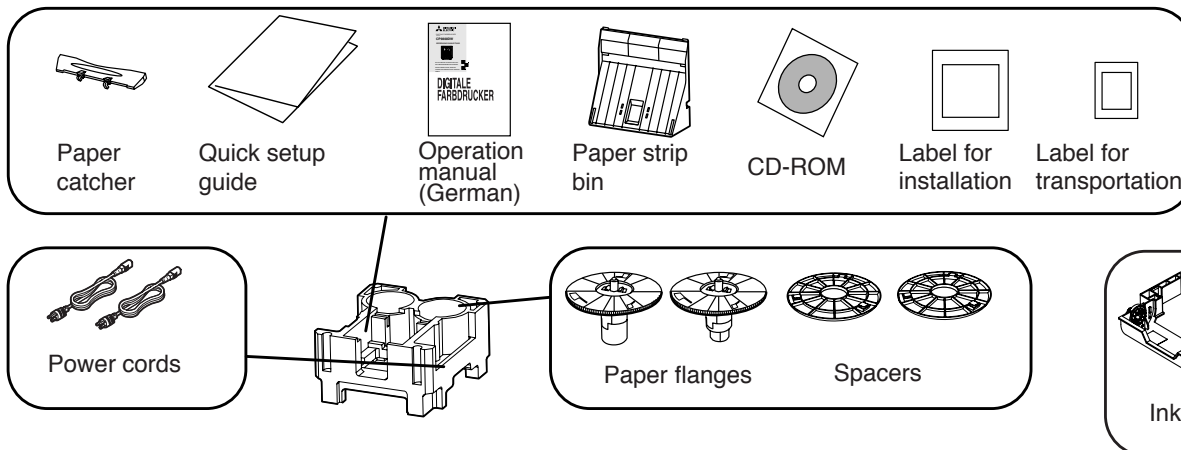
When moving this printer, hold the upper front part and the handle on the rear side.

Remove the protective materials for transportation such as protective sheet.



CONTENTS

The accessories are contained in the upper cushions. Check the contents.



The ink cassette is contained in the printer.

PRECAUTIONS

FEATURES

CONNECTIONS

PREPARATION

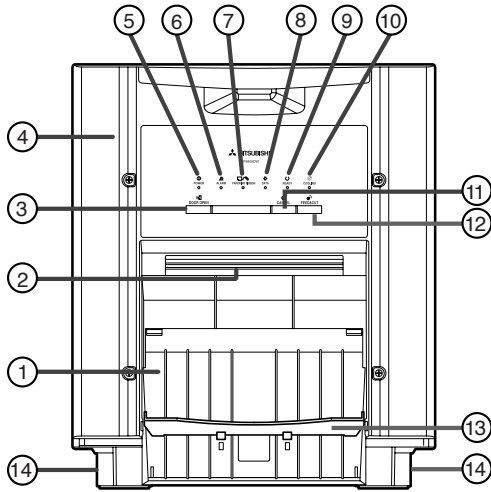
TROUBLE-SHOOTING

OTHERS

CONTENTS

FEATURES AND FUNCTIONS

FRONT PANEL



① PAPER STRIP BIN

Holds the paper chips generated by margin cut. To prevent jamming the chips at the print outlet, throw away the chips frequently.

NOTE

Remove the bin before opening the door. If the door is opened with this bin attached, the printer or this bin may be damaged.

② PRINT OUTLET

The printed paper comes out here.

③ DOOR OPEN BUTTON (⏏)

When you press this button while the power is on, the door will open in about five seconds.

④ DOOR

Open this door when installing print paper or ink ribbon. Press the DOOR OPEN button ③ to open the door.

⑤ POWER INDICATOR (Ⓞ)

When the power is turned on, the indicator illuminates.

⑥ ALARM INDICATOR (⚠)

This indicator illuminates or blinks when a paper jam occurs or the door is open. See page 18.

⑦ PAPER/INK RIBBON INDICATOR (□/Ⓢ)

When an error concerning the ink ribbon or print paper occurs, this indicator illuminates or blinks. See page 18.

⑧ DATA INDICATOR (⚡)

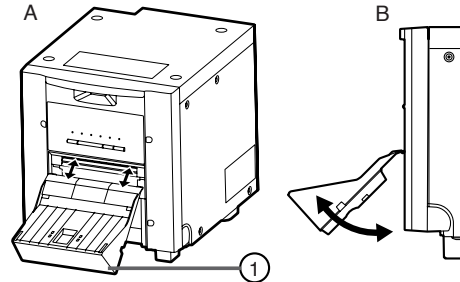
This indicator blinks during data transfer. It illuminates during printing.

⑨ READY INDICATOR (Ⓞ)

This indicator illuminates when this unit is ready to accept the data. It also illuminates during data transfer. It blinks during print canceling procedure.

PAPER STRIP BIN

Hook the paper strip bin by its latches.



To attach: A → B
To remove: B → A

⑩ COOLING INDICATOR (Ⓞ)

When the unit is overheated, this indicator blinks. See page 18.

⑪ CANCEL BUTTON (⏏)

Press this button for more than 1 second during printing to cancel continuous printing. After the ongoing printing at the time this button is pressed is completed, the printing process is canceled.

⑫ FEED & CUT BUTTON (⏏)

When you keep pressing this button for more than 1 second, the print paper is fed and cut.

⑬ PAPER CATCHER

You may stack the prints on this paper catcher. See the next page for the installation of this paper catcher. When using the print paper of 13x18(5x7"), 15x20(6x8") or 15x23(6x9"), do not install the paper catcher.

NOTE

When you use 9x13 (3.5x5")-size or 10x15 (4x6")-size paper, you may stack about 10 prints on this paper catcher. It is recommended to remove the prints stacked on the paper catcher frequently. If the prints are not removed frequently, a paper jam may cause.

⑭ FEET

These feet can be removed. See the next page for removal of the feet.

NOTE

When this printer is turned on, the indicators start illuminating in sequence. The printer is ready for use when the POWER and READY buttons are lit.

PRECAUTIONS

FEATURES

CONNECTIONS

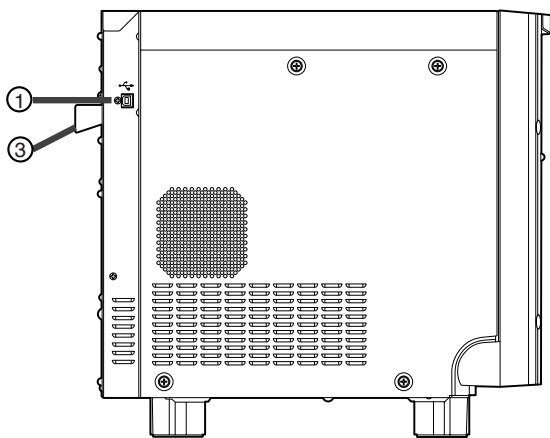
PREPARATION

TROUBLE-SHOOTING

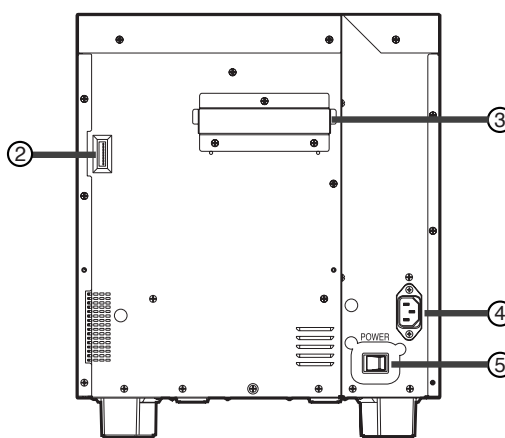
OTHERS

CONTENTS

SIDE AND REAR PANEL



(LEFT SIDE)



(REAR)

① USB TERMINAL

Use to connect the USB cable.
See page 9.

② DIP SWITCHES

Use to set various functions of this unit. See page 10.

③ HANDLE FOR TRANSPORTING

When transporting this unit, hold this handle and the upper front part of this unit.

④ POWER SOCKET (AC LINE)

Use to connect the provided power cord. Insert the cord firmly.

⑤ POWER SWITCH

Use to switch the power ON and OFF.

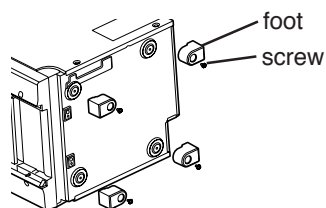
REMOVING THE FEET

1. Remove the paper strip bin.
2. Place the printer sideways as shown in the figure.

NOTE

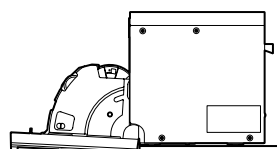
Be careful not to get your fingers pinched.

3. Loosen 4 screws to remove the feet.
4. Raise the printer.
Keep the removed screws and feet.



INSTALLATION

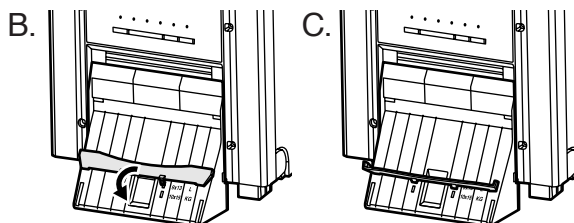
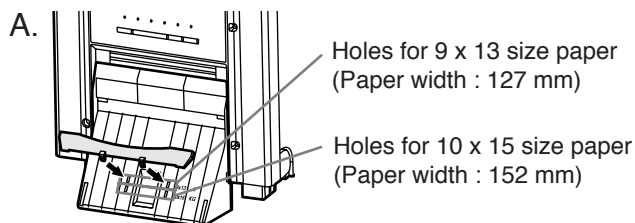
Place the printer on a stable table.
Make sure that the bottom of the door does not touch the table when opened and that the printer does not fall from the table.



Place the printer so that the door does not touch the corner of the table.

INSTALLING THE PAPER CATCHER

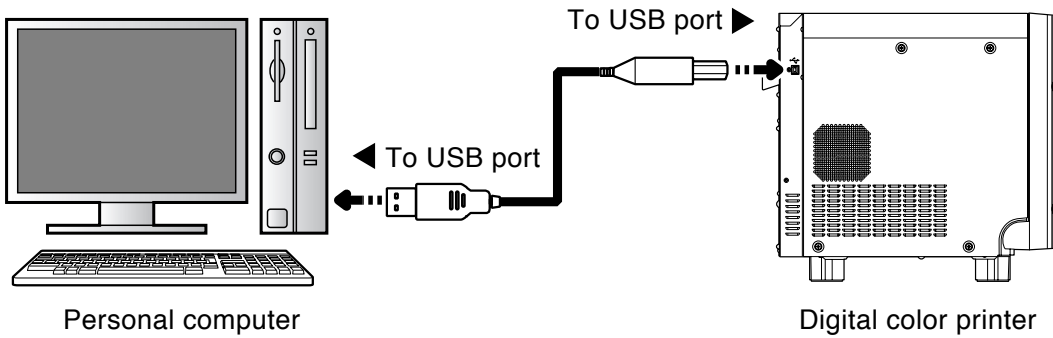
Hook the paper catcher by its latches. When using the print paper of 13x18(5x7"), 15x20(6x8") or 15x23(6x9"), do not install the paper catcher.



CONNECTION WITH USB DATA SIGNAL EQUIPMENT

CONNECTING TO PERSONAL COMPUTER (EXAMPLE)

Connect this unit to a personal computer as shown below.



NOTE

A USB cable is not supplied with this unit. Use the USB 2.0 certified cable of 2 m or less in length.

SETTING OF DIP SWITCHES

■ SETTING DIP SWITCHES

All the switches are set to OFF at the time of shipment from the factory.
Turn off the power before changing the DIP switch settings.



Switch No.	Setting	Function
1	OFF	Auto feed & cut mode When the door is closed after the print paper is installed with this unit powered on, this unit automatically carries out paper feed & cut operation.
	ON	Manual feed & cut mode
2	OFF	Set this switch to OFF.
	ON	
3	OFF	Set this switch to OFF.
	ON	
4	OFF	Set this switch to OFF.
	ON	
5	OFF	Set this switch to OFF.
	ON	
6	OFF	Set this switch to OFF.
	ON	
7	OFF	Set this switch to OFF.
	ON	
8	OFF	Set this switch to OFF.
	ON	

BEFORE OPERATION

Before printing,

- 1 Install the print paper to this unit. (See below.)
- 2 Position the adjustable paper guides. (See page 13.)
- 3 Install the ink ribbon to this unit. (See page 14-15.)

INSTALLATION OF PRINT PAPER

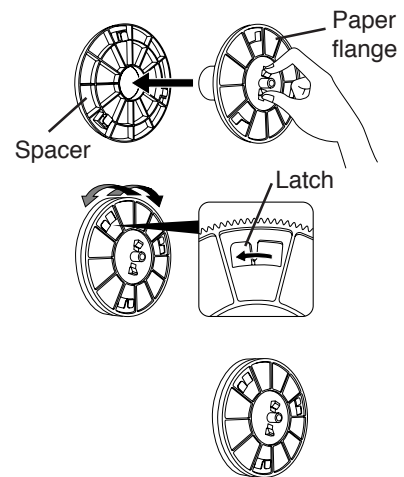
Spacers

- For the usage of the spacers, see the Quick Setup Guide.
Remove the cushions put between the paper flange and spacer when using the spacers.

How to attach the spacers

1. Attach the spacer with the paper flange's stoppers retracted.
2. Turn the spacer until the latches are locked.

When you remove the spacers from the paper flanges, follow the above procedure in reverse.



1 Attach the supplied paper flanges to both sides of the print paper.

When you pinch the latches on the paper flange, the stoppers retract into the shaft. Attach the flanges to the print paper with the stoppers retracted. Make sure that the flanges are attached to the print paper securely, and release the latches.

NOTE

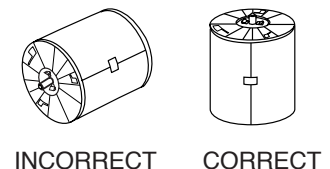
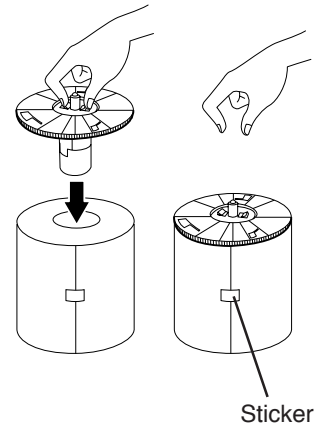
- Take care not to pinch your fingers.
- Do not remove the sticker on the print paper yet.
- Do not slacken the paper. Any slack in the print paper may degrade the print quality.

CAUTION

- When placing the print paper, remove one flange and keep the print paper upright on its side with no flange.
- When you put the print paper sideways, it may roll and fall. This may cause injury.

NOTE

- Do not touch the thermal head.
Fingerprints or dust on the thermal head will degrade the print quality.
- Fingerprints or dust on the paper's surface may degrade print quality and cause paper jams.



PRECAUTIONS

FEATURES

CONNECTIONS

PREPARATION

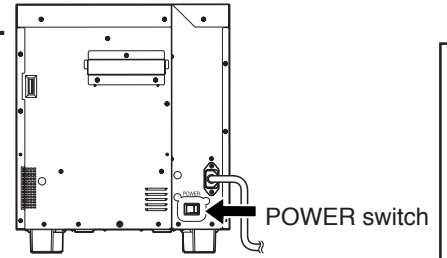
TROUBLE-
SHOOTING

OTHERS

CONTENTS

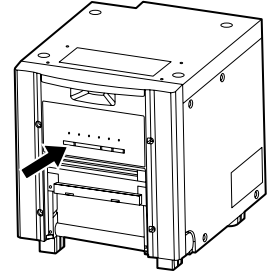
BEFORE OPERATION

2 Press the **POWER** switch on the rear panel to turn on the power.



3 After the mechanical initialization is completed, press the **DOOR OPEN** button to open the door.

Take the ink cassette in the printer out.

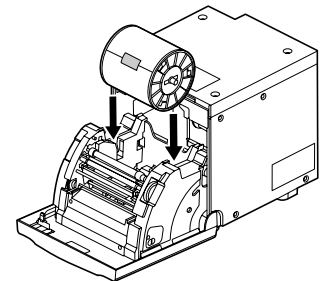


4 Install the print paper into the unit.

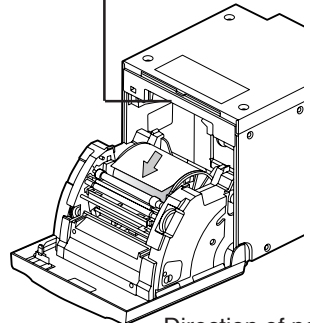
Make sure to install the print paper firmly.

NOTE

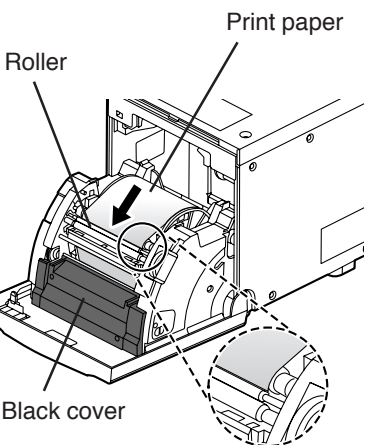
Install the print paper into the unit slowly. If it is dropped along the ditches, the unit or accessories may be damaged.



Thermal head (inside)



Direction of paper insertion

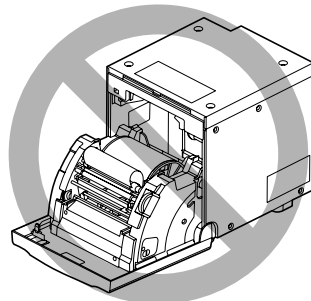


CAUTION

- Do not touch the thermal head right after printing because it is extremely hot. Otherwise you may get burned or injured.

NOTE

- Note that the thermal head is quite sensitive to static electricity. When you touch the thermal head while carrying static electricity on your body, the thermal head may be damaged.



5 Remove the sticker, insert the print paper between the rollers as shown right, and feed the print paper until it reaches the black cover.

- Remove the sticker before inserting the print paper between rollers. Make sure to insert the paper straight.

NOTE

- Keep the roller clean. Dirt on the roller may degrade the print quality.

NOTE

- When taking the print paper out, pull it up toward you.
- Make sure to turn on the power before replacing the print paper.
- Make sure to eliminate any slack from the print paper. If you carry out the following steps without eliminating the slack, the print paper may be damaged.

PRECAUTIONS

FEATURES

CONNECTIONS
PREPARATION

TROUBLE-
SHOOTING

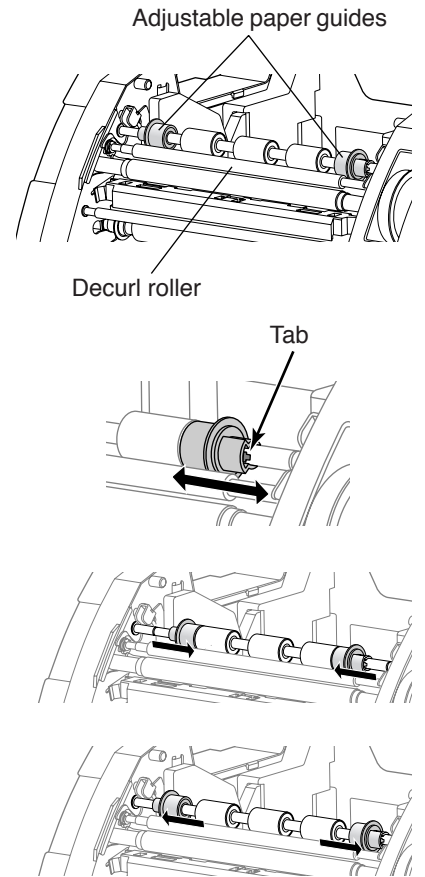
OTHERS

CONTENTS

POSITIONING OF ADJUSTABLE PAPER GUIDE

The adjustable paper guides are attached on both sides of the metal shaft at the back of the decurl roller.

Adjust the position of the print paper using these paper guides.



■ HOW TO SHIFT THE ADJUSTABLE PAPER GUIDES

- 1 Move the guide by pulling the tab.
- 2 Release the tab and shift the guide until it is fixed into the groove of the shaft.

■ WHEN USING 9X13(3.5X5") OR 13X18(5X7") SIZE PAPER (5"-WIDTH)

Move both the adjustable paper guides to the center.

■ WHEN USING 10X15(4X6"), 15X20(6X8") OR 15X23(6X9") SIZE PAPER (6"-WIDTH)

Move both the adjustable paper guides outward.

NOTE

- Make sure to adjust the adjustable paper guides according to the size of print paper to be used. When they are not positioned properly, a malfunction such as paper jam may occur.

INSTALLATION OF INK RIBBON

■ INSTALLING THE INK RIBBON

After installing the print paper, install the ink cassette into this unit.

Before installing the ink cassette into this unit, load the ink ribbon in the ink cassette.

NOTE

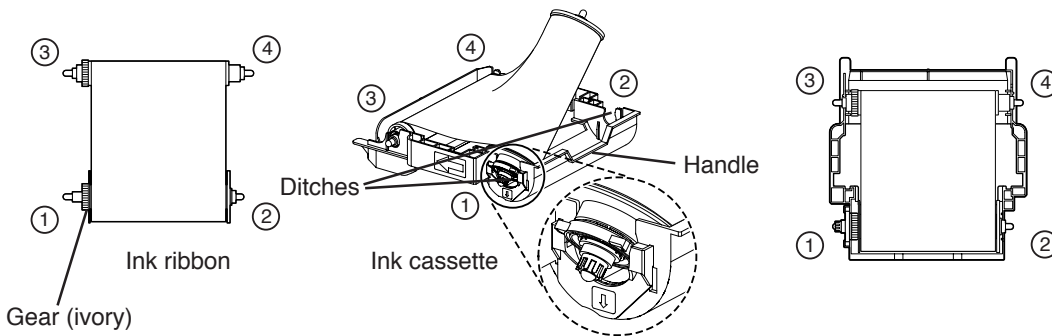
- Place the ink cassette on a flat surface, when loading the ink ribbon.
- Select a place that is free of dust when loading the ink ribbon. Dust or dirt settling on the ink ribbon results in poor print quality.
- Make sure that the shafts of the ink ribbon fit into the ink cassette firmly.

NOTE

- Make sure to use the blue ink cassette supplied with the printer. The ink cassettes for the CP9000 series and the CP9500 series cannot be used.

1 Load the ink ribbon in the ink cassette as shown below.

- Make sure to load it in the correct position.
First, place the gear ③ and ④ on the ditches ③ and ④ respectively.
Then, insert the gear ① of the ink ribbon to the ditch ① of the ink cassette, and push the gear ② into the ditch ② by rotating the ink ribbon.
After that, push the ③ and ④ into each ditch.



Make sure to set the ink ribbon roller to the ditches firmly.

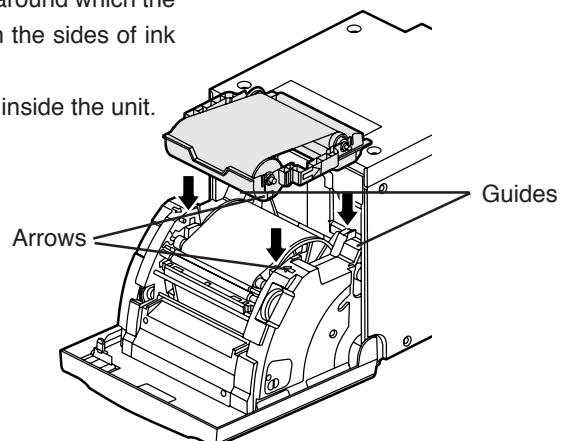
Turn the ivory gear to eliminate any slack.

■ INSTALLING THE INK CASSETTE

1 Place the ink cassette containing the ink ribbon in the position as shown right.

Place the ink cassette on the print paper with the shaft (thicker one) around which the ink ribbon is wound located to the front. Align the arrows marked on the sides of ink cassette with those on the unit.

Place the rear of the ink cassette along the guides that are provided inside the unit.



BEFORE OPERATION

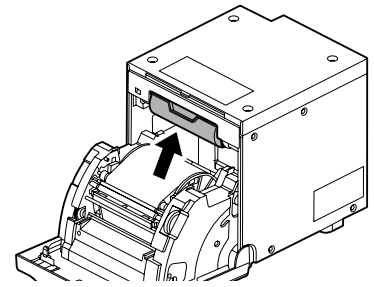
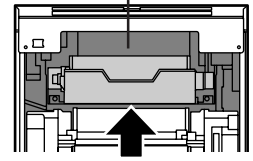
2 Push the ink cassette toward the back of the unit.

Hold the handle of the ink cassette and push it straight toward the back of the unit. Then raise it until you hear a click to secure it in the ink cassette holder.

NOTE

If the ink ribbon is used up, repeat the steps 1 to 2 to replace the print paper and the ink ribbon.

Thermal head (inside)

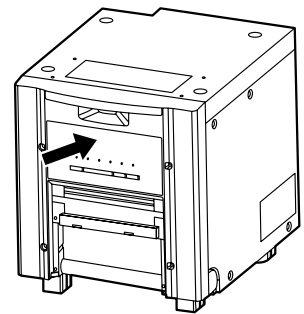


3 Push the center of the door to close.

The print paper setting is initialized two seconds after you close the door. When the auto feed & cut mode has been selected, the FEED & CUT procedure is repeated three times after you close the door. When the print paper with the post card printing on its reverse side is installed, the FEED & CUT procedure is repeated five times.

NOTE

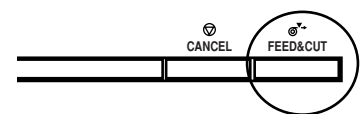
- When closing the door, push it until a click is heard.
- If the PAPER/INK RIBBON indicator illuminates when the door is closed, the print paper may have not been installed correctly. In this case, open the door to make sure that the print paper has been installed correctly. Then close the door again.
- On the auto feed & cut mode, when the print paper is installed more than three times, the print paper may be used up earlier than the ink ribbon.



When the manual & cut mode has been selected

When the manual feed & cut mode has been selected, hold down the FEED & CUT button for 1 second or longer. Repeat the manual feed & cut three times. When the print paper with the post card printing on its reverse side is installed, repeat this procedure five times.

For how to select the auto feed & cut mode, see "Setting of DIP switches" (on page 10).



Installation of the print paper and the ink ribbon is completed.

NOTE

- Make sure to replace the print paper and the ink ribbon at the same time.
- When replacing them, throw away the paper chips in the paper strip bin.
- Whenever you replace the print paper and the ink ribbon, clean the thermal head and the roller. For the cleaning procedures, see "CLEANING" (on pages 21 and 22).

HANDLING OF PAPER / INK RIBBON SET

BEFORE PRINTING

- Fingerprints or dust on the paper's printing surface may degrade the print quality and cause paper jams. When the manual feed & cut mode has been selected, repeat the FEED & CUT procedure three times after replacing the print paper. When the print paper with the post card printing on its reverse side is installed, repeat five times. If you omit cutting the print paper by the FEED & CUT procedure, first two or three prints may not be printed partly because of finger oil or dirt.
- When the print paper or ink ribbon is abruptly transferred from a cool place to a hot place, vapor or dew is generated on the surface, which causes paper jams or degraded print quality. Leave the print paper in the room to stabilize its temperature before use.
- If you repeat the FEED & CUT procedure more than the designated number of times while installing the print paper, the indicated number of prints may not be made. In addition, if you replace the print paper before it is used up, the indicated number of prints may not be made.

AFTER PRINTING

- If the paper absorbs nonvolatile organic solvents (alcohol, ester, ketone, etc.) the print may be discolored.
- Discoloration of prints is accelerated if the print paper comes into contact with soft vinyl chloride such as transparent tape.
- Avoid storing prints in direct sunlight or places with high humidity.

STORAGE OF PAPER / INK RIBBON SET

- Do not store the print paper and ink ribbon in the container made of soft polyvinyl chloride. They may be discolored because of chemical reaction.
- Store the print paper and ink ribbon out of direct sunlight and away from heating appliances in a cool, dark place where the temperature is 5°C to 30°C and the humidity is 20% to 60% RH.

PRECAUTIONS

FEATURES

CONNECTIONS

PREPARATION

TROUBLE-SHOOTING

OTHERS

CONTENTS

INSTALLATION OF PRINTER DRIVER

- The printer driver is required to print the data from the personal computer connected with this unit.

The printer driver for Windows® is supplied with this unit.

Product name	Required operating system
CPD9800X	Applies for Microsoft® Windows® 2000 or Windows® XP operation system

- Refer to the PRINTER DRIVER GUIDE in the CD-ROM for installing the printer driver.

Microsoft, Windows, Windows 2000 and Windows XP are the registered trademarks of Microsoft Corporation in the U.S.A. and other countries.

PRECAUTIONS

FEATURES

CONNECTIONS

PREPARATION

TROUBLE-SHOOTING

OTHERS

CONTENTS

ERROR MESSAGES AND COUNTERMEASURES

INDICATIONS ON THE FRONT PANEL AND COUNTERMEASURES

■ If, for some reason, printing is not possible or an error occurs during printing, the indicators on the front panel will illuminate or blink. In this case, follow the procedure described below.

In case of an error during printing, unless you turn off the unit, the unit resumes printing automatically when the error is corrected.

☉: Steady on ●: Off ☉●: Blinking — : Depends on the previous condition

ALARM	PAPER/ INK RIBBON	DATA	READY	COOLING	Causes and Countermeasures	Page
☉ ●	●	—	●	●	The door is open. • Close the door.	7
					A paper jam occurs. • Refer to "Overcoming paper jams."	19
☉ ●	☉	—	●	●	The power is turned off during printing process. • Turn on the power and carry out the paper feed & cut.	---
●	●	—	☉	☉ ●	The temperature of the thermal head is too high. • Wait until the indication goes off. * Note	7
●	☉ ●	—	●	●	The ink ribbon is not loaded. The ink ribbon is used up. The ink ribbon which is not available to this printer is installed. • Replace the ink ribbon with a new one.	14-15
●	☉	—	●	●	The print paper is not installed. The print paper is used up. • Install new print paper.	11-12
					The actual combination of ink ribbon and print paper is inconsistent with the setting made by the personal computer. • Set the personal computer according to the actual combination of ink ribbon and print paper. Turn off the printer, then adjust the setting of the personal computer to the actual combination of ink ribbon and print paper.	11-15
☉	●	—	●	●	Other errors	20

When ALARM or PAPER/INK RIBBON indicator illuminates or blinks, open the door and carry out the above countermeasures.

If the indicator is not turned off by closing the door, carry out the paper feed & cut.

*Note If an error occurs while the continuous printing through the PC is ongoing, it is resumed after the COOLING indicator goes off.

PRECAUTIONS

FEATURES

CONNECTIONS

PREPARATION

TROUBLE-SHOOTING

OTHERS

CONTENTS

OVERCOMING PAPER JAMS

1 Press the DOOR OPEN button to open the door.

Make sure that the power is turned on before opening the door.
If the door does not open, turn off the power and turn it on again.
Then press the DOOR OPEN button again.

2 Remove the ink cassette.

Push down the ink cassette as shown by the arrow ① and pull it out.

3 Take out the print paper.

When taking the print paper out, pull it up toward you.

4 Cut off the defective part of the print paper with scissors.

NOTE

- Make sure to cut off the printed part of the print paper. Failure to do this may result in the ink ribbon sticking to the print paper and being torn.
- Make sure to clean the thermal head and the roller. Refer to "CLEANING" (on pages 21 and 22).

5 Install the print paper and the ink cassette with the ink ribbon. (Refer to pages 11-15.)

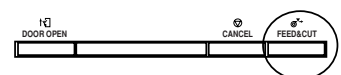
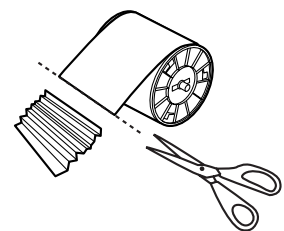
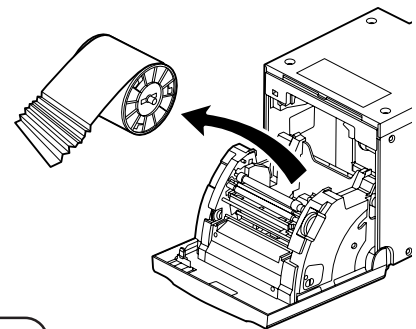
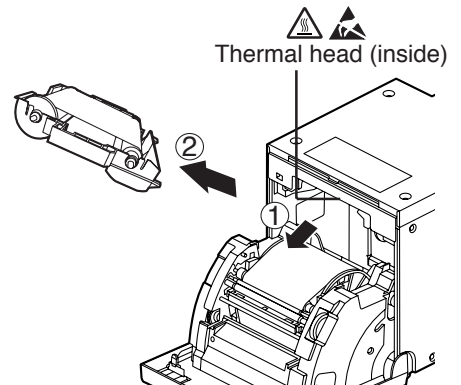
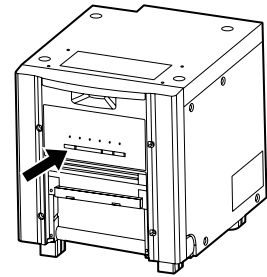
6 Push the center of the door to close.

The print paper setting is initialized two seconds after you close the door.
When the auto feed & cut mode has been selected, the FEED & CUT procedure is repeated three times after you close the door. When the print paper with the post card printing on its reverse side is installed, the FEED & CUT procedure is repeated five times.

■ When the manual & cut mode has been selected

When the manual feed & cut mode has been selected, hold down the FEED & CUT button for 1 second or longer. Repeat the manual feed & cut three times. When the print paper with the post card printing on its reverse side is installed, repeat this procedure five times.

For how to select the auto feed & cut mode, see "Setting of DIP switches" (on page 10).



BEFORE CALLING FOR SERVICE

For the following symptoms, check the unit again before calling for service.

Symptom	Check & Remedy
The power is not turned on.	Is the power cord plug disconnected from the outlet? → Connect the power cord plug to the outlet firmly. → The protective circuit may be working. Turn off the power and wait for about two minutes. Then turn on the power again.
The door doesn't close.	Are you turning off the power during printing procedure? → Turn on the power and then close the door.
The image is not printed.	Is the image data sent to this unit? → Make sure that the image data is sent to this unit. Is the print paper or the ink ribbon used up? → Check them. Is the ink cassette installed correctly? → Install the ink cassette correctly.
An error can not be resolved.	→ Press the DOOR OPEN, CANCEL and FEED&CUT buttons simultaneously. This printer starts initialization.

INSTRUCTIONS FOR TRANSPORTATION

When transporting this unit for some reason such as repair, follow the instructions below.

1. Use the original packaging.

The genuine package unit may not endure more than one round trip. If the unit is transported with the package unit more than one round trip, it may not be guaranteed.

Purchase another package unit when transporting this unit again.

Pack the unit with all the accessories (ink ribbon, print paper, ink cassette, and paper flanges) removed.

2. Turn off the power after the PAPER/INK RIBBON indicator blinks.

After removing all the accessories, close the door with the printer's power on. After the PAPER/INK RIBBON indicator blinks, turn the power off.

3. If the ink ribbon, print paper, or ink cassette can not be taken out, consult with your dealer.

CLEANING

Cleaning as indicated below will help maintain stable printer operation and extend the printer's life.

PREPARATIONS FOR CLEANING

- 1 Press the **POWER** switch on the rear panel to turn on the power.
- 2 Press the **DOOR OPEN** button to open the door.
- 3 Remove the ink cassette.
- 4 Take out the print paper.
- 5 Press the **POWER** switch to turn off the power.

Make sure to turn off the power before cleaning.

FILTER CLEANING

Take out the filter from the printer by pinching the tab as shown in the figure, then clean both sides of the filter with a vacuum. After completing cleaning, insert it to the end with the marking of "TOP SIDE" up.

THERMAL HEAD CLEANING

Preparations

Alcohol (isopropyl alcohol)

Tissue paper (Fold in half about four times, and use the folded side to clean.)

Other : Cleaner pen (option)*, Cleaning ribbon (option)*

* Please ask the dealer about options.

When lines appear on the printed images, clean the thermal head.

Wipe the head cleaning part (as shown right) carefully with tissue paper dampened with a small amount of alcohol.

NOTE

- Do not damage the thermal head.
- When the poor print quality is not corrected even if the head has been cleaned, replacement of the thermal head may be required. Contact your dealer.

CAUTION



- Thermal head is hot right after printing. Wait until the head cools before cleaning the thermal head.

NOTE



- The thermal head may be damaged if you touch it while static electricity builds up on your body.

WHEN USING THE CLEANING RIBBON (CR9000)

When you use print paper of 152 mm (6") width after using that of 127 mm (5"), thermal head cleaning with a cleaning ribbon may be required.

If one or two lines appear on the printing surface as shown right when printing on the print paper of 152 mm (6") width, clean the thermal head using the optional cleaning ribbon.

Cleaning is not required when :

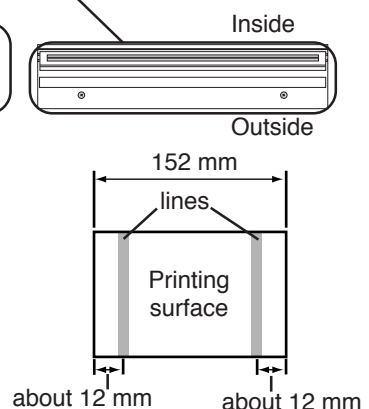
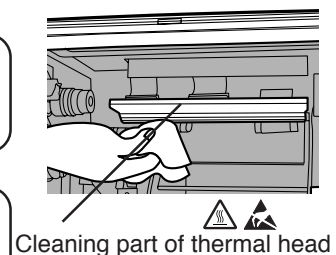
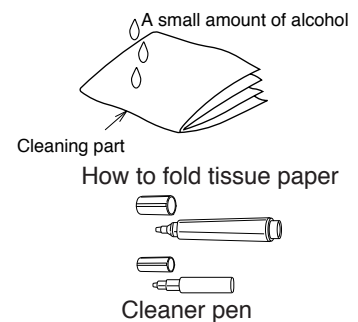
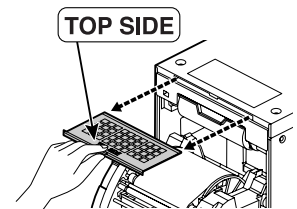
- you use print paper of 127 mm (5") width after using that of 127 mm(5"),
- you use print paper of 152 mm (6") width after using that of 152 mm(6"), or
- you use print paper of 127 mm (5") width after using that of 152 mm(6").

Print paper of 127 mm(5") width : 9x13 (3.5x5"), 13x18 (5x7")

Print paper of 152 mm (6") width : 10x15 (4x6"), 15x20 (6x8"), 15x23 (6x9")

NOTE

When the symptom of poor print quality is not corrected even after the head is cleaned, replace the thermal head. Contact your dealer.



PRECAUTIONS

FEATURES

CONNECTIONS

PREPARATION

TROUBLE-SHOOTING

OTHERS

CONTENTS

ROLLER CLEANING

Preparations

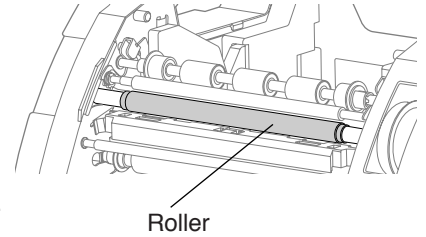
Alcohol (isopropyl alcohol)

Tissue paper (Fold in half about four times, and use the folded side to clean.)

Clean the black part of the roller.

Wipe the black part carefully with tissue paper dampened with a small amount of alcohol.

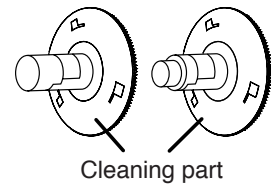
Wipe the whole roller by turning it.



PAPER FLANGE CLEANING

Clean the parts that contact the print paper sides as shown right.

Wipe the parts carefully with tissue paper dampened with a small amount of alcohol.



PRECAUTIONS

FEATURES

CONNECTIONS

PREPARATION

TROUBLE-SHOOTING

OTHERS

CONTENTS

SPECIFICATIONS

SPECIFICATIONS	
Class	Digital Color Printer
Model	CP9800DW
Printing method	Sublimation Dye Thermal Transfer line print 3-color faces progressive printing (yellow, magenta, and cyan) and surface lamination
Print's resolution	300 x 300 dpi (dpi : dots per inch)
Dot resolution	9x13 (3.5x5") 1076 x 1572 dots 10x15 (4x6") 1228 x 1868 dots 13x18 (5x7") 1572 x 2128 dots 15x20 (6x8") 1868 x 2422 dots 15x23 (6x9") 1868 x 2730 dots
Print size	9x13 (3.5x5") 89 x 127mm (without frame) 10x15 (4x6") 102 x 152mm (without frame) 13x18 (5x7") 127 x 178mm (without frame) 15x20 (6x8") 152 x 203mm (without frame) 15x23 (6x9") 152 x 229mm (without frame)
Gradations	256 (8 bits) for each color (About 16.7 million colors)
Printing time*	9x13 (3.5x5") : Approx. 8 sec./sheet (Fine mode) 10x15 (4x6") : Approx. 8 sec./sheet (Fine mode) 13x18 (5x7") : Approx. 16 sec./sheet (Fine mode) 15x20 (6x8") : Approx. 18 sec./sheet (Fine mode) 15x23 (6x9") : Approx. 19 sec./sheet (Fine mode)
Supply method	Automatic
Interface	Hi-Speed USB (Ver.2.0)
Power supply	220-240 V AC 50/60 Hz, 120 V AC 50/60 Hz
Power consumption	2.5 A (220 - 240 V AC, 50/60 Hz), 4.7 A (120 V AC, 50/60 Hz) during printing 0.4 A (220 - 240 V AC, 50/60 Hz), 0.4 A (120 V AC, 50/60 Hz) when not printing
Operating conditions	Temperature : 5°C - 40°C Humidity : 30% - 80% RH (no dewing)
Installation conditions	Operating attitude : Horizontal ±5°
Outside dimensions	329(W) x 404(D) x 383(H) mm (including feet) 329(W) x 404(D) x 353(H) mm (excluding feet)
Weight	Approx. 21 kg (excluding accessories)
Standard accessories	Power cords (for 120 V and 230 V), Ink cassette (1), CD-ROM (1), Paper flange (1 set), Spacers (2), Quick setup guide (1), Operation manual (German) (1), Paper strip bin (1), Paper catcher (1), Label for installation (1), Label for transportation (1)

* When a high-grade paper/ink ribbon set is used (the speed obtained after the second print during continuous printing)

Design and specifications are subject to change without notice.

■ Contents of CD-ROM

- Operation manual
- Printer driver
- PRINTER DRIVER GUIDE

PRECAUTIONS

FEATURES

CONNECTIONS

PREPARATION

TROUBLE-SHOOTING

OTHERS

CONTENTS



MITSUBISHI DIGITAL ELECTRONICS AMERICA, INC.

9351 Jeronimo Road, Irvine, CA 92618, U.S.A.

Phone 949-465-6000

Mitsubishi Electric Europe B.V.

UK Branch

Travellers Lane, Hatfield, Herts. AL10 8XB, England, U.K.

Phone +44 (0) 1707 276100 FAX +44 (0) 1707 278755

German Branch

Gothaer Strasse 8, 40880 Ratingen ; Postfach 1548, 40835 Ratingen ; Germany

Phone +49 (2102) 486-9250 FAX +49 (2102) 486-7320

French Branch

25, Boulevard des Bouvets - 92741 NANTERRE cedex, France

Phone +33 (1) 55 68 55 00 FAX +33 (1) 55 68 57 31

Italian Branch

Centro Direzionale Colleoni, Palazzo Sirio, ingresso n.1

Viale Colleoni, 7, 20041 Agrate Brianza, (Milano) Italy

Phone +39 03960531 FAX +39 0396053214

Benelux Branch

Nijverheidsweg 23a,

3641 RP Mijdrecht, The Netherlands

Phone +31 (0) 297-282461 FAX +31 (0) 297-283936

Spanish Branch (Barcelona)

Ctra. de Rubí, 76-80 - Apdo. 420

08190-Sant Cugat del Vallés - (Barcelona) Spain

Phone +34 93 565 3154 FAX +34 93 589 4388

Please contact the nearest Mitsubishi sales branch to get DOC (Declaration of Conformity) of the EC Directive 1999/5/EC.

Manufactured by Mitsubishi Electric (Malaysia) Sdn. Bhd.
PLO 32, Kawasan Perindustrian Senai II, 81400 Senai, Johor Darul Takzim, Malaysia